



# STAR HEADLIGHT & LANTERN CO.

**DLXTH SERIES**

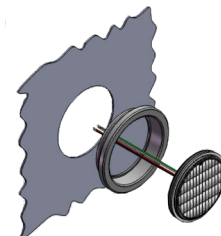
**NEW & IMPROVED**



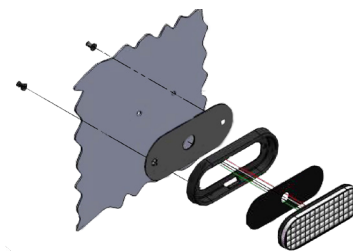
DLXTHR Series



DLXTHU Series



grommet mount



standard bezel mount

## Specifications and Features

- Thirty Six high intensity LEDs
- 12 customer selectable flash patterns in two phases plus steady-on
- Circuitry is fully encapsulated within housing and comes with a breathable membrane pad
- Over-molded wire seal and strain relief
- S-Link 2.0 System™ synchronizing capabilities with other Star LED units
- Can be mounted just about anywhere, interior or exterior
- Can be mounted in a bezel, grommet, or window mount
- Patented D943,802 & D943,803
- Also available with weatherproof connector pre-installed on heads
- Dimensions: DLXTHU - 7 ¼"L x 3"H, DLXTHR - 4"Dia.
- Voltage: 12/24V DC
- Amp draw: .3 amps (average)
- Color combinations:  
C = Clear lens

## Model Numbers/Descriptions:

DLXTHR	4" round perimeter light
DLXTHU	6" oval perimeter light
DLNTHR	4" steady burn, round perimeter light
DLNTHU	6" steady burn, oval perimeter light

**Warning:** Cancer and Reproductive Harm - [www.P65Warnings.ca.gov](http://www.P65Warnings.ca.gov)

SF138 Rev E 02-24-2022

**STAR**  
WARNING  
SYSTEMS®

**STAR SIGNAL**  
VEHICLE PRODUCTS®

Star Headlight & Lantern Co., Inc.

455 Rochester Street  
Avon, NY 14414  
Phone: 585-226-9500  
Fax: 888-478-2797  
[starheadlight.com](http://starheadlight.com)

**BRADFORD**  
Vehicle Solutions Inc.™



PROUDLY MADE IN THE U.S.A.  
An ISO 9001:2015 Certified Company



# STAR HEADLIGHT & LANTERN CO.

LED DLXTH MODEL NUMBER GENERATOR

## DL\_TH\_ \_ - \_ \_ \_ \_

**Pattern**

- X = Flashing
- N = Steady Burn

**Series**

- R = 4" round
- U = oval

**Mount Type**

- 1 = Flush mount bezel
- 2 = No mount (lighthead only)
- 4 = Rubber grommet
- 7 = Window bezel
- 8 = Rubber grommet with weatherproof connector

**Plating**

- = Black
- C = Chrome

**Color**

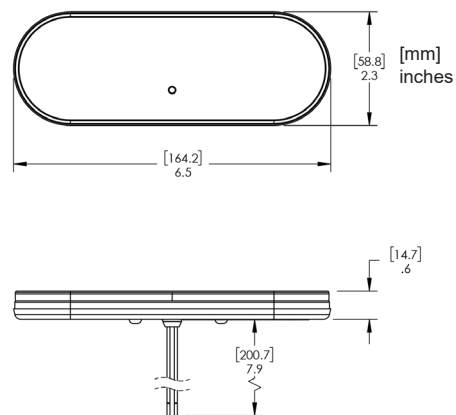
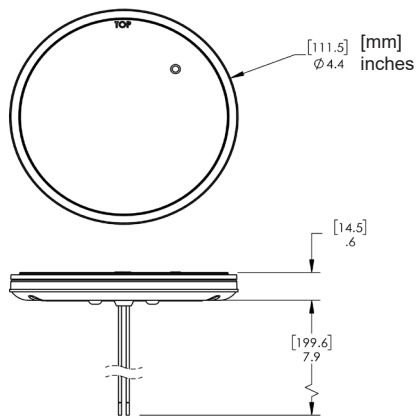
- |                |                           |
|----------------|---------------------------|
| A = Amber      | BC = Blue LED Clear Lens  |
| W = Cool White | GC = Green LED Clear Lens |
| R = Red        | RC = Red LED Clear Lens   |



**Rubber Grommet**



**Flush Mount Bezel**



Star Headlight & Lantern Co., Inc.

455 Rochester Street  
Avon, NY 14414  
Phone: 585-226-9500  
Fax: 888-478-2797  
starheadlight.com



PROUDLY MADE IN THE U.S.A.  
An ISO 9001:2015 Certified Company

